



Solid Interceptor Oil Separator Top Mount | 30 to 100 L/min

SIOSTM

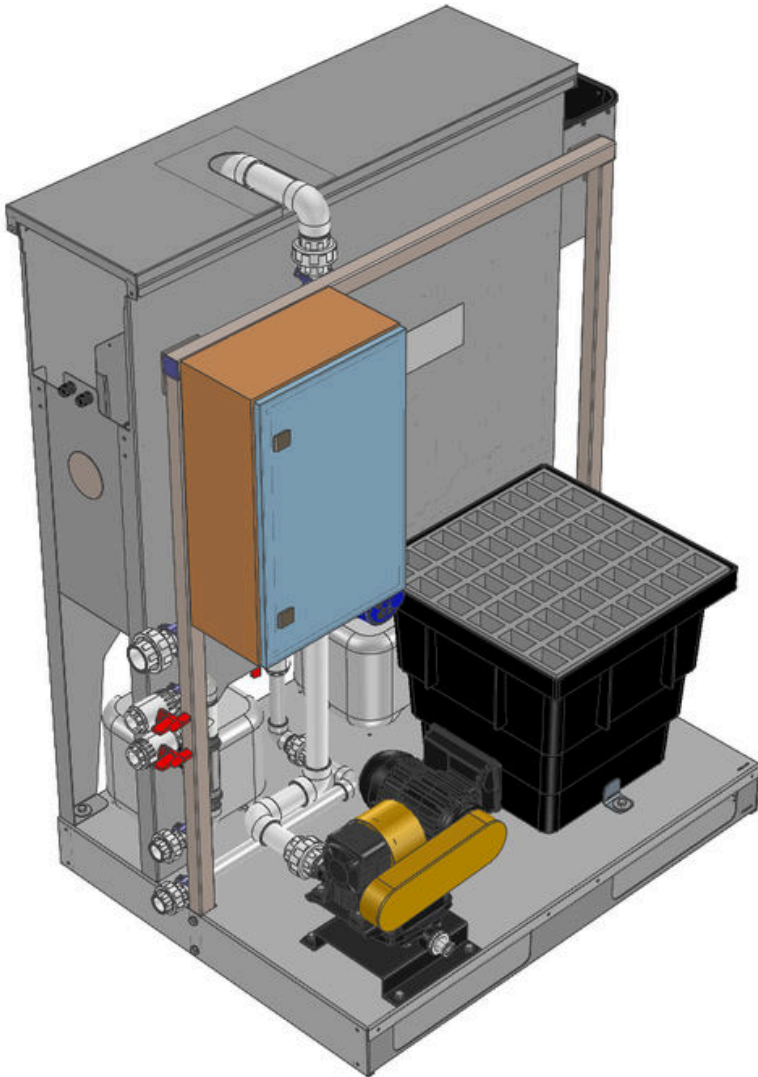
Complete turnkey trade waste solutions with rain water diversion

OVERVIEW

The Solids Interceptor Oil Separator with Top Mount (SIOSTM) consists of a 20µ continuous media filter, mounted on top of our approved coalescing plate Oil Water Separator with flow rates up to 100L/min.

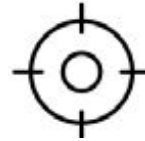
SPECIFICATION

Flow Capacity	30L / 100L/min
Media	CMS Media (20, 100, 250 and 800um pore size) OWS Coalescing Plates (6mm and 20mm pitch)
Reduction	CMS I with 20µ microns + particle removal OWS I Oils and Grease up to 95% removal



Turnkey Solution

- Above Ground
- Easy Operation and Maintenance
- Optional Rain Diverter



Used In

- Workshops
- Transport
- Mining
- Equipment Hire



Pre-Approved

- By Most Councils Across Australia



Mon – Fri: 7:30 – 16:00 | AEST

(07) 5535 9000

sales@enviroconcept.com.au

23 Motorway Cct, Ormeau QLD 4208

